



WECHAT



WEB

Welcome to HEARKEN

Actuators and Controls

**Hearken
Here We
Can**

The Trusted, Passionate and focused Partner in Valve Automation

At HEARKEN FLOW, The founding principle of Hearkenflow is simple: to Listen our customers needs first, to develop the innovative valve actuators solutions , to meet the unique needs of our customers, Along the way, To help our customers to solve the problems in Valve Automation. We are growing our brand in Pneumatic and Electric Actuators, Accessories..



WHY WE ARE DIFFERENT

We offer a complete valve automation solution by the applications experience and customization capabilities, with an experienced support team to guide you in selection, installation, and project support. In addition we maintain an extensive supply of product inventory on hand so that we can quickly fulfill orders and reduce wait times. Our sales and support staff are readily available and accessible so that customers get the answers they need quickly.

- Experienced team
- Large inventory
- Convenient consultation

THE TARGET WE ARE PURSUING



- To built A strong Reputation in Providing Quality, Cost Effective , Reliable And Robust Performance Solutions for Valve Automation,
- Included Pneumatic Actuators, Electrically Actuators, Actuated Valves.



COMMITMENT TO QUALITY

At HEARKEN FLOW means performance, All products manufactured by HEARKEN FLOW are warranted against defects in material and workmanship for a period of 18 months from the day of startup. Each of our products are tested at the factory. we are confident that our products meet or exceed all applicable standards before they ever leave our facility. We are an ISO 9001-2008 certified company. Our Valve Actuators Has Applied for SIL3 Certificate, ATEX Certificate ,CE, Explosion-proof Certificate, IP68 Weather proof etc....

HEA Series Electric Actuator

Quarter-Turn Design

Description



HEA Series Quarter-Turn Electric Actuator is used for controlling 0~270 degree Rotation valves and other similar products, such as butterfly valve, ball valve, damper, flapper valve, cock valve etc... It widely applies to petroleum, chemical, water treatment, shipping, paper, making, power plant and other industries.

Driven by 380V/220V/110VAC OR 24V/110VDC Power, Inputs 4~20mA Or 0~10 VDC control signal, Moves valve to the right position, and achieve to automatic control. The Maximum output torque is 2000 N.m



Main Product features



Designed for small quarter-turn applications.

Protection class to IP67, NEMA4 and 6

The Actuator can automate the valves requiring up to 270 degree rotation. To help protect the components and extend the actuator's life, an anti-condensation thermal protector is provided to protect the motor from over heating.

Testing For All Actuators

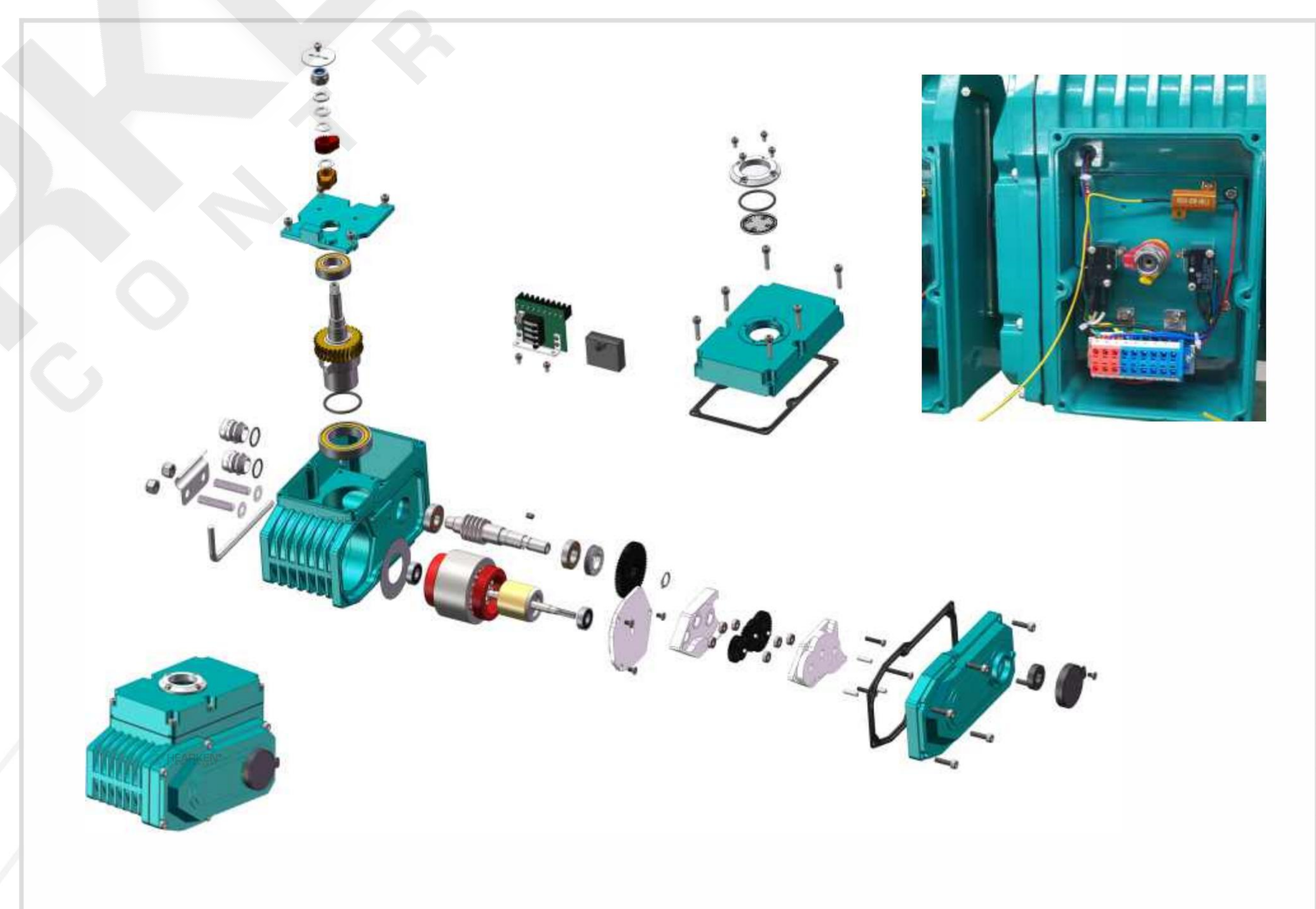


All actuators manufactured by HEARKEN are individually tested, Testing is carried out to check the leakage in both internal and external, The angle of rotation and Torque values. All bodies are stamped with year, month of production, size and serial number.

Performance features



Function	On/Off or Modulating
Material	
Housing	Aluminum alloy, epoxy powder coated
Gear	Steel / aluminum bronze
Screws	Stainless steel
Indicator Cover	Polycarbonate
Shaft / Adaptor	Alloy steel
Seal	NBR
Lubrication	Aluminum based grease
Technical Data	
Power Supply	24VDC, 110VAC, 220VAC
Motor	Squirrel cage asynchronous motor
Limit Switch	SPDT, 250VAC10A, each for Open and Close positions
Rotation	90° (± 10°) other rotation on request
Manual Operation	Mechanical handle standard
Conduit Entry	2 x M18
Operating Temp	-20°C to +70°C
Ambient Humidity	Max. 90% RH
Vibration Tested	XYZ10g, 0.2~34Hz, 30 minutes
Mounting	ISO5211
Torque Output	30 Nm to 1000 Nm (2000 Nm on request)
Self-locking device	Self-locking by worm and worm gear



Options Available



- Space Heater, 7 ... 10W (110/220VAC)*
- Stall Protection, internal overheating protection, open @ 120°C / close @ 97°C (± 5°C)*
- Position Feedback Potentiometer (1K ... 10K)*
- Position Feedback Sensor with Current output (4 ... 20mA)*
- Proportional Control Unit for modulating control (input/output signal, 4 ... 20mA, 1 ... 5 VDC, 1 ... 10VDC)*
- Field control unit (Local control open/stop/close switch, Local/remote control switch)*
- Power Failure Self Reset

Standard & Technical datas

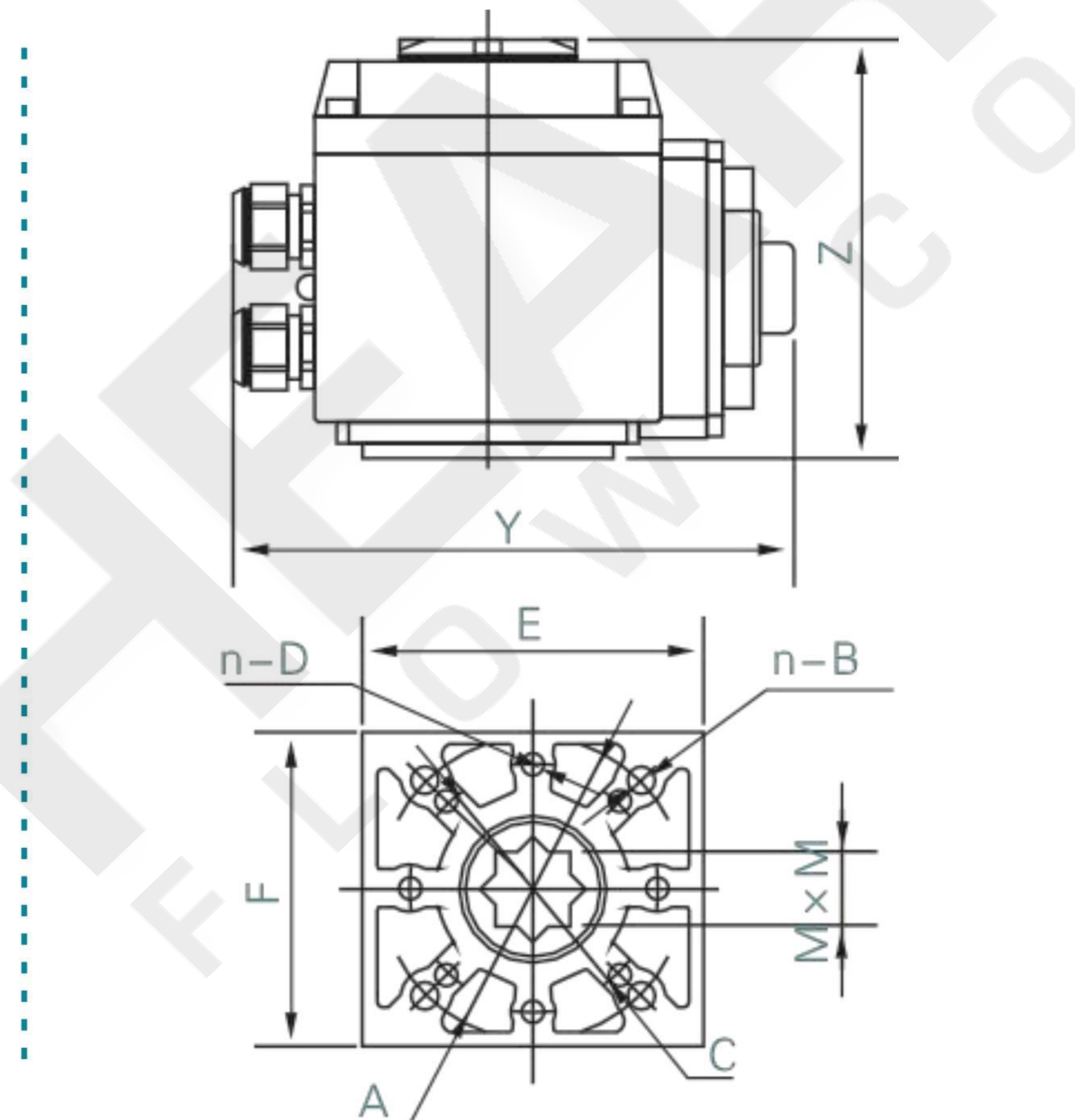
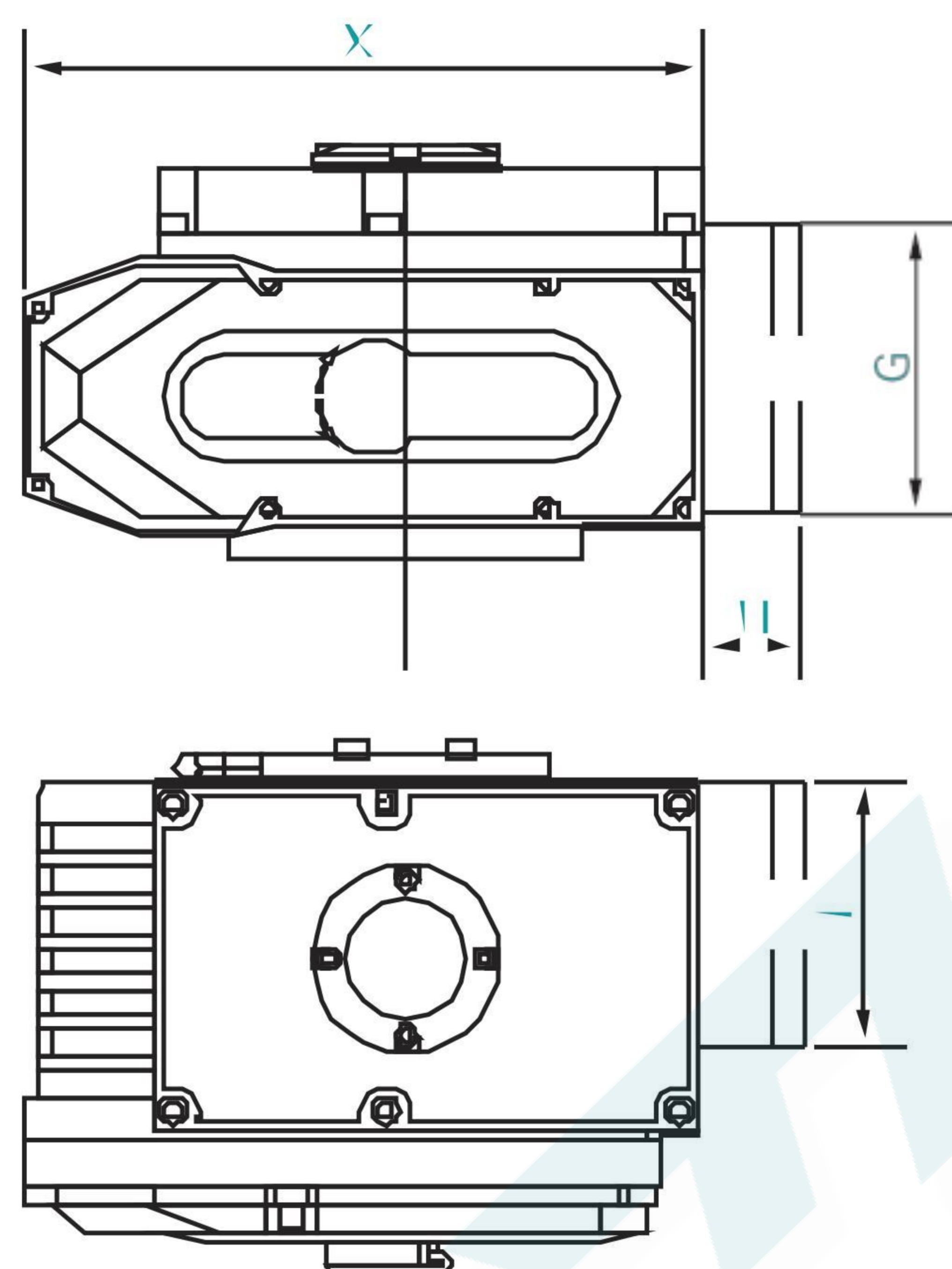
Indicator	Dome Type(Option: LED Light Inside)
Ambient Temp	-20°C~+70°C
Limit Switches	2 open/close+dry contact 2 open/close
Manual Operation	Hex key (Option: Handwheel)
Space Heater	5W(110/230VAC,24VDC)
Lubrication	Aluminum base grease(EP type)
Surface Treatment	Anodizing

Enclosure	Waterproof Level IP67, NEMA4 and 6
Power Supply	AC110/220V 1PH ± 10% 50/60HZ. DC24V
Travel Angle	90° ± 5° (Extension up to 270°)
Self Locking	Provide self locking by worm gear
Conduit entries	2PF 1/2" (Option: M20x1.5, NPT1/2")
External Coating	Dry powder, epoxy polyester
Material	Aluminum Alloy, Steel, Alloy Bronze

Technical Parameter and Specifications (On/Off or Modulating Version)

Model	Max Output Torque (N.M)	Operating Time 90°(Sec.) 220VAC/ 24VDC	Drive Shaft(mm)				Motor (W) 220V/ 24VDC	Single-phase rated current(A) 220VAC / 24VDC	Weight (kg)	Flange Size
			Square	Deep	Round	Deep				
HEA003	30N.m	10/	9X9	13.5	Ø12.6	26	8	0.15/	2.1	F03/F05
			11X11	15.5						
HEA005	50N.m	30/15	11X11	15.5	Ø12.6	26	10	0.25/2.2	3.6	F05/F07
			14X14	18						
HEA008	80N.m	30/15	11X11	15.5	Ø15.78	26	10	0.25/2.2	3.6	F05/F07
			14X14	18						
HEA010	100N.m	30/15	14X14	18	Ø15.78	28	15	0.35/3.5	4.6	F05/F07
			17X17	22.5						
HEA015	150N.m	30/15	14X14	18	Ø18.95	28	15	0.37/3.5	4.6	F05/F07
			17X17	22.5						
HEA020	200N.m	30/15	22X22	26	Ø22.13	45	45	0.3/7.2	8.9	F07/F10
HEA040	400N.m	30/15	22X22	26	Ø28.48	45	60	0.33/7.2	8.9	F07/F10
HEA060	600N.m	30/15	27X27	32.5	Ø31.65	45	90	0.33/7.2	9.3	F07/F10
HEA080	800N.m	40/20	27X27	32.5	Ø31.65	45	180	0.47/11	14.3	F10/F12
HEA100	1000N.m	40/20	27X27	32.5	Ø31.65	45	180	0.47/11	14.5	F10/F12
HEA200	2000N.m	44/22	27X27	32.5	Ø31.65	45	180	1.5/15	14.5	F10/F12

Dimension in mm



ISO5211
Mounting Interface

Basic Actuator Outline Dimension(Unit:mm)



MODEL	X	Y	Z	A	N-B	C	N-D	E	F	G	H	I	MXM
HEA003	123	100	115	Ø50	4-M8	Ø36	4-M6	50	50	114	40	150	9X9
													11X11
HEA005	161	121	125	Ø70	4-M8	Ø50	4-M6	66	66	114	40	150	11X11
													14X14
HEA008	188	145	127	Ø70	4-M8	Ø50	4-M6	100	90	114	40	150	11X11
													14X14
HEA010	188	145	127	Ø70	4-M8	Ø50	4-M6	100	90	114	40	150	14X14
													17X17
HEA015	188	145	127	Ø70	4-M8	Ø50	4-M6	100	90	114	40	150	14X14
HEA020	233	170	153	Ø102	4-M12	Ø70	4-M10	140	130	114	40	150	17X17
HEA040	233	170	153	Ø102	4-M12	Ø70	4-M10	140	130	114	40	150	22X22
HEA060	233	170	153	Ø102	4-M12	Ø70	4-M10	140	130	114	40	150	22X22
HEA080	268	255	164	Ø125	4-M12	Ø102	4-M10	140	130	114	40	150	27X27
HEA100	268	255	164	Ø125	4-M12	Ø102	4-M10	140	130	114	40	150	27X27